



# Submittal:

Models: LI018CI-160P432 / LI018CO-160P432  
LI018HI-160P432 / LI018HO-160P432  
LI024CI-160P432 / LI024CO-160P432  
LI024HI-160P432 / LI024HO-160P432  
(Refrigerant:R410A)

Thank you for selecting LENNOX air conditioners.

# Submittal 16 SEER 60Hz

## 1. Summary

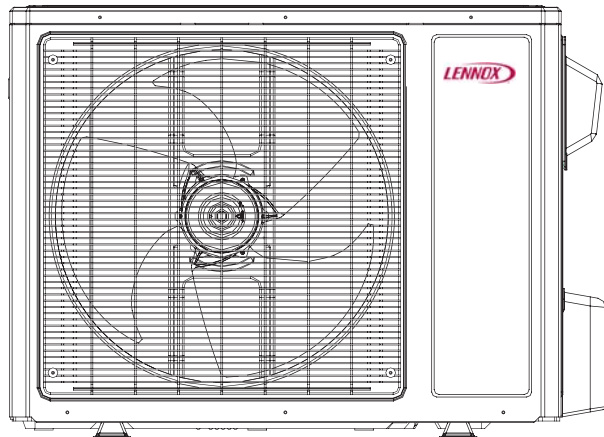
### Indoor Unit:

LI018CI-160P432  
LI018HI-160P432  
LI024CI-160P432  
LI024HI-160P432



### Outdoor Unit:

LI018CO-160P432  
LI018HO-160P432  
LI024CO-160P432  
LI024HO-160P432



### Remote Controller:

Y6334



## 2. Specifications

### 2.1 Specification Sheet

Model			LI018CI-160P432	LI018CO-160P432	LI018HI-160P432	LI018HO-160P432	
Product Code			Y6665/Y6666		Y6681/Y6682		
Power Supply	Rated Voltage	V~	208/230		208/230		
	Rated Frequency	Hz	60		60		
	Phases		1		1		
Power Supply Mode			Outdoor		Outdoor		
Cooling Capacity(Min~Max)		Btu/h	18000(7165~20001)		18000(7165~20001)		
Heating Capacity(Min~Max)		Btu/h	/		19000(7336~23498)		
Cooling Power Input(Min~Max)		W	1800(570~2600)		1920(570~2600)		
Heating Power Input(Min~Max)		W	/		2000(580~2600)		
Cooling Power Current		A	8		8.5		
Heating Power Current		A	/		8.9		
Rated Input		W	2600		2600		
Rated Current		A	11.54		11.54		
Air Flow Volume(SH/H/M/L)		CFM	471/403/341/282		471/403/341/282		
Dehumidifying Volume		Pint/h	3.80		3.80		
EER		(Btu/h)/W	10.00		9.37		
COP		(Btu/h)/W	/		9.50		
SEER			16.00		16.00		
HSPF			/		9.00		
Application Area		yd <sup>2</sup>	27.50-40.66		27.50-40.66		
Indoor Unit	Model of indoor unit		LI018CI-160P432		LI018HI-160P432		
	Indoor Unit Product Code		Y6665		Y6681		
	Fan Type		Cross-flow		Cross-flow		
	Diameter Length(DXL)		inch	Φ4 3/16X27 13/16		Φ4 3/16X27 13/16	
	Fan Motor Cooling Speed(SH/H/M/L)		r/min	1350/1200/1050/900		1350/1200/1050/900	
	Fan Motor Heating Speed(SH/H/M/L)		r/min	/		1300/1200/1100/900	
	Output of Fan Motor		W	30		30	
	Fan Motor RLA		A	0.30		0.30	
	Fan Motor Capacitor		μF	/		/	
	Evaporator Form			Aluminum Fin-copper Tube		Aluminum Fin-copper Tube	
	Pipe Diameter		inch	Φ5/16		Φ5/16	
	Row-fin Gap		inch	2-1/16		2-1/16	
	Coil Length (LXDXW)		inch	28 1/8X1X12		28 1/8X1X12	
	Swing Motor Model			MP35CJ		MP35CJ	
	Output of Swing Motor		W	2.5		2.5	
	Fuse		A	3.15		3.15	
	Sound Pressure Level(SH/H//M/L)		dB (A)	46/42/39/35		46/42/39/35	
	Sound Power Level(SH/H//M/L)		dB (A)	56/52/49/45		56/52/49/45	
	Dimension (WXHXD)		inch	38 3/16X11 13/16X8 13/16		38 3/16X11 13/16X8 13/16	
	Dimension of Carton Box (LXWXH)		inch	40 7/8X15X12		40 7/8X15X12	
Dimension of Package (LXWXH)		inch	41X15X12 5/8		41X15X12 5/8		
Net Weight		lb	27.6		27.6		
Gross Weight		lb	34.2		34.2		

Outdoor Unit	Model of Outdoor Unit		LI018CO-160P432	LI018HO-160P432
	Outdoor Unit Product Code		Y6666	Y6682
	Compressor Manufacturer/Trademark		ZHUHAI LANDA COMPRESSOR CO.,LTD	ZHUHAI LANDA COMPRESSOR CO.,LTD
	Compressor Model		QXA-B141zF030A	QXA-B141zF030A
	Compressor Oil		RB68EP	RB68EP
	Compressor Type		Rotary	Rotary
	Compressor Locked Rotor Amp (L.R.A)	A	25	25
	Compressor RLA	A	7.20	7.20
	Compressor Power Input	W	1440	1440
	Overload Protector		1NT11L-6233 or KSD115°C or HPC115/95U1	1NT11L-6233 or KSD115°C or HPC115/95U1
	Throttling Method		Capillary	Capillary
	Operation temp	°F	60.8~86	60.8~86
	Ambient temp (cooling)	°F	0~115	0~115
	Ambient temp (heating)	°F	/	-4~75
	Condenser Form		Aluminum Fin-copper Tube	Aluminum Fin-copper Tube
	Pipe Diameter	inch	Φ5/16	Φ3/8
	Rows-fin Gap	inch	1-1/16	1-1/16
	Coil Length (LXD <sub>X</sub> W)	inch	34 11/16X26X7/8	33 5/8X26X7/8
	Fan Motor Speed	rpm	800	800
	Output of Fan Motor	W	60	60
	Fan Motor RLA	A	0.365	0.365
	Fan Motor Capacitor	μF	/	/
	Air Flow Volume of Outdoor Unit	CFM	1883	1883
	Fan Type		Axial-flow	Axial-flow
	Fan Diameter	inch	Φ20 1/2	Φ20 1/2
	Defrosting Method		/	Automatic Defrosting
	Climate Type		T1	T1
	Isolation		I	I
	Moisture Protection		IP24	IP24
	Permissible Excessive Operating Pressure for the Discharge Side	ISPG	623	623
	Permissible Excessive Operating Pressure for the Suction Side	ISPG	362	362
	Sound Pressure Level (H/M/L)	dB (A)	56/-/-	56/-/-
	Sound Power Level (H/M/L)	dB (A)	66/-/-	66/-/-
Dimension (WXHXD)	inch	38X27 9/16X15 5/8	38X27 9/16X15 5/8	
Dimension of Carton Box (LXWXH)	inch	40 3/8X17 7/8X29	40 3/8X17 7/8X29	
Dimension of Package (LXWXH)	inch	40 1/2X18X29 1/2	40 1/2X18X29 1/2	
Net Weight	lb	90.4	95.9	
Gross Weight	lb	100.3	105.8	
Refrigerant		R410A	R410A	
Refrigerant Charge	oz	35.3	49.4	
Connection Pipe	Length	ft	24.6	24.6
	Gas Additional Charge	oz/ft	0.2	0.2
	Outer Diameter Liquid Pipe	inch	Φ1/4	Φ1/4
	Outer Diameter Gas Pipe	inch	Φ1/2	Φ1/2
	Max Distance Height	ft	32.8	32.8
	Max Distance Length	ft	82	82
	Note:The connection pipe applies metric diameter.			

The above data is subject to change without notice; please refer to the nameplate of the unit.

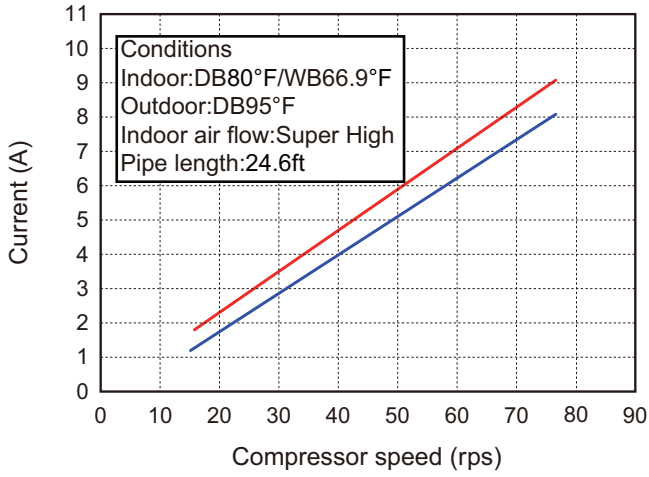
Model			LI024CI-160P432	LI024CO-160P432	LI024HI-160P432	LI024HO-160P432	
Product Code			Y6667/Y6668		Y6683/Y6684		
Power Supply	Rated Voltage	V~	208/230		208/230		
	Rated Frequency	Hz	60		60		
	Phases		1		1		
Power Supply Mode			Outdoor		Outdoor		
Cooling Capacity(Min~Max)		Btu/h	22000(8630~23200)		22000(8630~23200)		
Heating Capacity(Min~Max)		Btu/h	/		23000(8650~26000)		
Cooling Power Input(Min~Max)		W	2260(600~27000)		2260(600~27000)		
Heating Power Input(Min~Max)		W	/		2300(610~2750)		
Cooling Power Current		A	10.03		10.03		
Heating Power Current		A	/		10.20		
Rated Input		W	2700		2750		
Rated Current		A	11.98		12.20		
Air Flow Volume(SH/H/M/L)		CFM	706/647/589/530		706/647/589/530		
Dehumidifying Volume		Pint/h	4.23		4.23		
EER		(Btu/h)/W	9.73		9.73		
COP		(Btu/h)/W	/		10.00		
SEER			16.00		16.00		
HSPF			/		9.00		
Application Area		yd <sup>2</sup>	32.29-50.23		32.29-50.23		
Indoor Unit	Model of indoor unit		LI024CI-160P432		LI024HI-160P432		
	Indoor Unit Product Code		Y6667		Y6683		
	Fan Type		Cross-flow		Cross-flow		
	Diameter Length(DXL)		inch	Φ4 1/4X32 11/16		Φ4 1/4X32 11/16	
	Fan Motor Cooling Speed(SH/H/M/L)		r/min	1250/1100/900/800		1250/1100/900/800	
	Fan Motor Heating Speed(SH/H/M/L)		r/min	/		1150/1000/900/850	
	Output of Fan Motor		W	30		30	
	Fan Motor RLA		A	0.32		0.32	
	Fan Motor Capacitor		μF	3		3	
	Evaporator Form			Aluminum Fin-copper Tube		Aluminum Fin-copper Tube	
	Pipe Diameter		inch	Φ5/16		Φ5/16	
	Row-fin Gap		inch	2-1/16		2-1/16	
	Coil Length (LXDXW)		inch	33 1/4X1X13 1/2		33 1/4X1X13 1/2	
	Swing Motor Model			MP35CJ		MP35CJ	
	Output of Swing Motor		W	3		3	
	Fuse		A	3.15		3.15	
	Sound Pressure Level(SH/H//M/L)		dB (A)	48/44/40/36		48/44/40/36	
	Sound Power Level(SH/H//M/L)		dB (A)	58/54/50/46		58/54/50/46	
	Dimension (WXHXD)		inch	42 7/16X12 13/16X9 11/16		42 7/16X12 13/16X9 11/16	
	Dimension of Carton Box (LXWXH)		inch	45X16 1/8X13 3/16		45X16 1/8X13 3/16	
Dimension of Package (LXWXH)		inch	45 3/16X16 1/4X13 3/4		45 3/16X16 1/4X13 3/4		
Net Weight		lb	34.2		34.2		
Gross Weight		lb	41.9		41.9		

Outdoor Unit	Model of Outdoor Unit		LI024CO-160P432	LI024HO-160P432
	Outdoor Unit Product Code		Y6668	Y6684
	Compressor Manufacturer/Trademark		ZHUHAI LANDA COMPRESSOR CO.,LTD	ZHUHAI LANDA COMPRESSOR CO.,LTD
	Compressor Model		QXA-B141zF030A	QXA-B141zF030A
	Compressor Oil		68EP	68EP
	Compressor Type		Rotary	Rotary
	Compressor Locked Rotor Amp (L.R.A)	A	25.00	25.00
	Compressor RLA	A	7.20	7.20
	Compressor Power Input	W	1440	1440
	Overload Protector		1NT11L-6233 or KSD115°C or HPC115/95U1	1NT11L-6233 or KSD115°C or HPC115/95U1
	Throttling Method		Capillary	Capillary
	Operation temp	°F	60.8~86	60.8~86
	Ambient temp (cooling)	°F	0~115	0~115
	Ambient temp (heating)	°F	/	-4~75
	Condenser Form		Aluminum Fin-copper Tube	Aluminum Fin-copper Tube
	Pipe Diameter	inch	Φ3/8	Φ3/8
	Rows-fin Gap	inch	2-1/16	2-1/16
	Coil Length (LXDXW)	inch	33 5/16X1 3/4X26	33 5/16X1 3/4X26
	Fan Motor Speed	rpm	800	800
	Output of Fan Motor	W	60	60
	Fan Motor RLA	A	0.365	0.365
	Fan Motor Capacitor	μF	/	/
	Air Flow Volume of Outdoor Unit	CFM	1883	1883
	Fan Type		Axial-flow	Axial-flow
	Fan Diameter	inch	20 1/2	20 1/2
	Defrosting Method		/	Automatic Defrosting
	Climate Type		T1	T1
	Isolation		I	I
	Moisture Protection		IP24	IP24
	Permissible Excessive Operating Pressure for the Discharge Side	ISPG	623	623
	Permissible Excessive Operating Pressure for the Suction Side	ISPG	362	362
	Sound Pressure Level (H/M/L)	dB (A)	59/-/-	59/-/-
Sound Power Level (H/M/L)	dB (A)	69/-/-	69/-/-	
Dimension (WXHXD)	inch	38X27 9/16X15 5/8	38X27 9/16X15 5/8	
Dimension of Carton Box (LXWXH)	inch	40 3/8X17 7/8X29	40 3/8X17 7/8X29	
Dimension of Package (LXWXH)	inch	40 1/2X18X29 1/2	40 1/2X18X29 1/2	
Net Weight	lb	103.6	110.3	
Gross Weight	lb	113.6	120.2	
Refrigerant		R410A	R410A	
Refrigerant Charge	oz	56.45	65.25	
Connection Pipe	Length	ft	24.6	24.6
	Gas Additional Charge	oz/ft	0.5	0.2
	Outer Diameter Liquid Pipe	inch	Φ1/4	Φ1/4
	Outer Diameter Gas Pipe	inch	Φ5/8	Φ5/8
	Max Distance Height	ft	32.8	32.8
	Max Distance Length	ft	82	82
	Note:The connection pipe applies metric diameter.			

The above data is subject to change without notice; please refer to the nameplate of the unit.

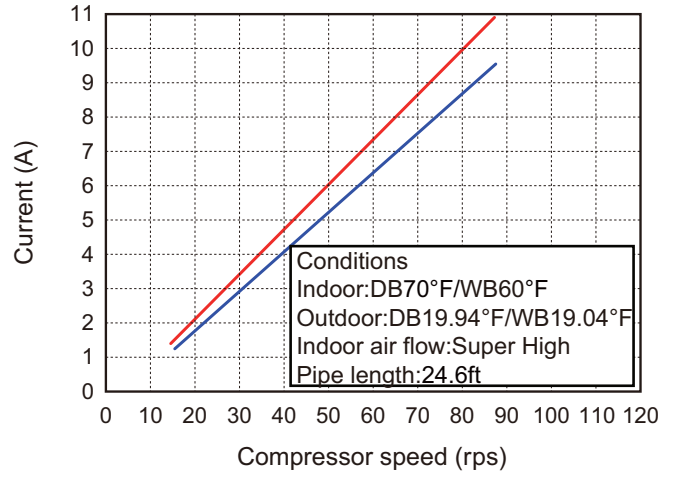
## 2.2 Operation Curve

Cooling



— LI018CI-160P432 LI018CO-160P432  
LI018HI-160P432 LI018HO-160P432

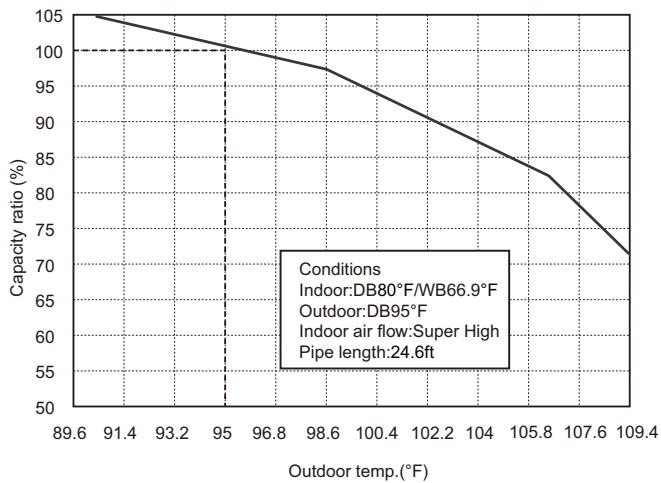
Heating



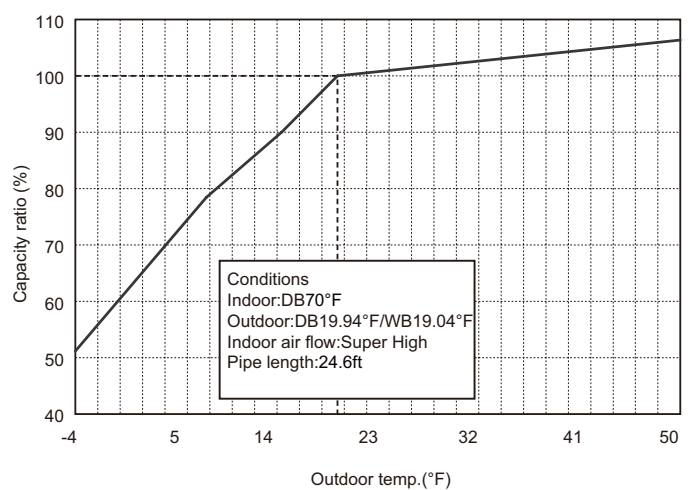
— LI024CI-160P432 LI024CO-160P432  
LI024HI-160P432 LI024HO-160P432

## 2.3 Capacity Variation Ratio According to Temperature

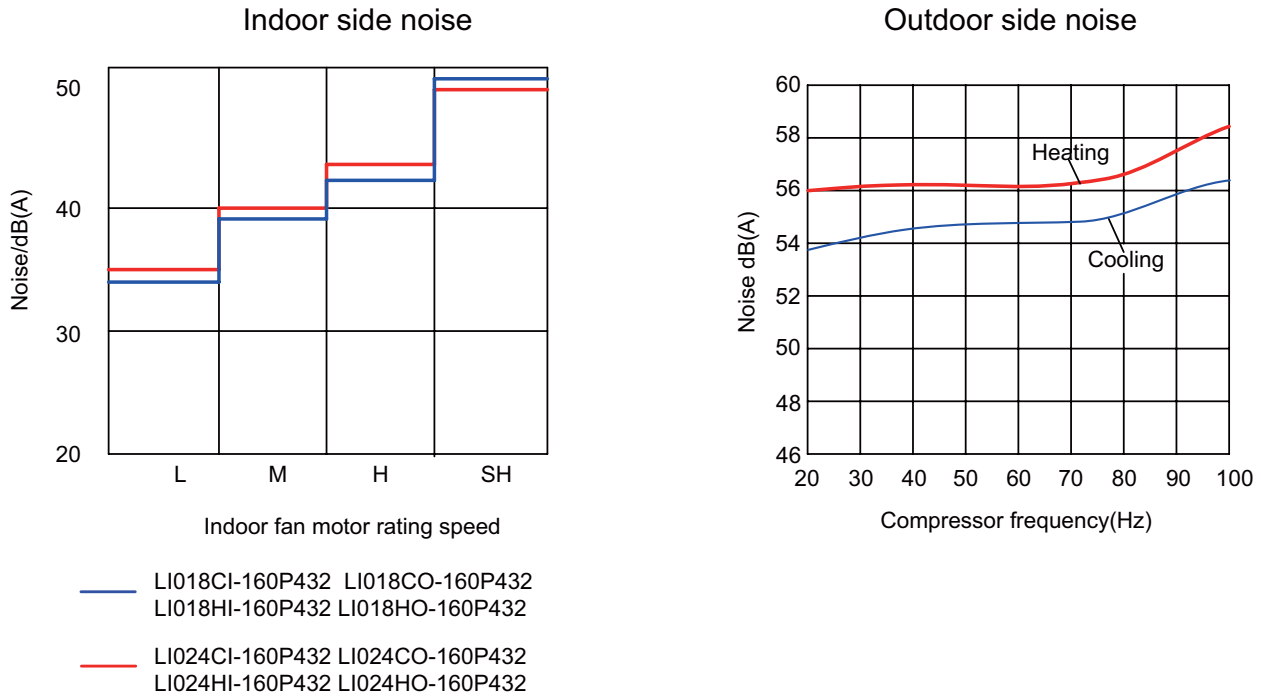
Cooling



Heating



## 2.4 Noise Curve



## 2.5 Cooling and Heating Data Sheet in Rated Frequency

Cooling:

Rated cooling condition(°F) (DB/WB)		Model	Pressure of gas pipe connecting indoor and outdoor unit	Inlet and outlet pipe temperature of heat exchanger		Fan speed of indoor unit	Fan speed of outdoor unit	Compressor revolution (rps)
Indoor	Outdoor			T1 (°F)	T2 (°F)			
80/66.9	95/-	LI018CI-160P432 LI018CO-160P432 LI018HI-160P432 LI018HO-160P432	130~142	in:46.4~51.8 out:51.8~57.2	in:167~181.4 out:98.6~118.4	Super High	High	73
80/66.9	95/-	LI024CI-160P432 LI024CO-160P432 LI024HI-160P432 LI024HO-160P432	130~142	in:46.4~51.8 out:51.8~57.2	in:167~181.4 out:98.6~118.4	Super High	High	75

Heating:

Rated heating condition(°F) (DB/WB)		Model	Pressure of gas pipe connecting indoor and outdoor unit	Inlet and outlet pipe temperature of heat exchanger		Fan speed of indoor unit	Fan speed of outdoor unit	Compressor revolution (rps)
Indoor	Outdoor			T1 (°F)	T2 (°F)			
70/60	19.94/19.04	LI018HI-160P432 LI018HO-160P432	507~550	in:167~181.4 out:98.6~113	in:33.8~37.4 out:35.6~42.8	Super High	High	75
70/60	19.94/19.04	LI024HI-160P432 LI024HO-160P432	507~550	in:167~181.4 out:98.6~113	in:33.8~37.4 out:35.6~42.8	Super High	High	80

### Instruction:

T1: Inlet and outlet pipe temperature of evaporator

T2: Inlet and outlet pipe temperature of condenser

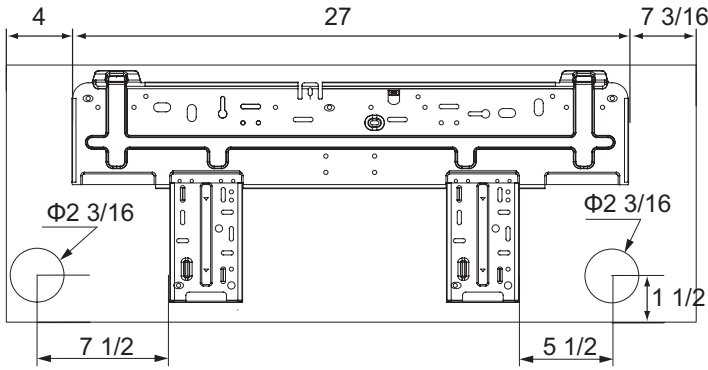
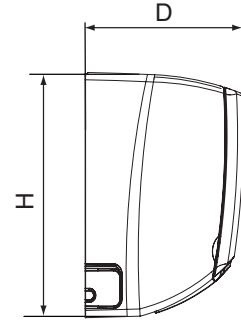
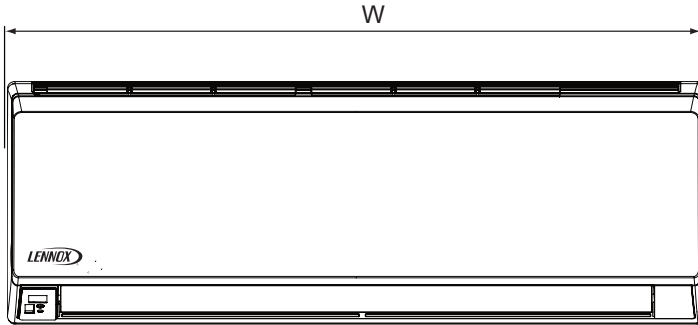
P: Pressure at the side of big valve

Connection pipe length: 24.6ft.

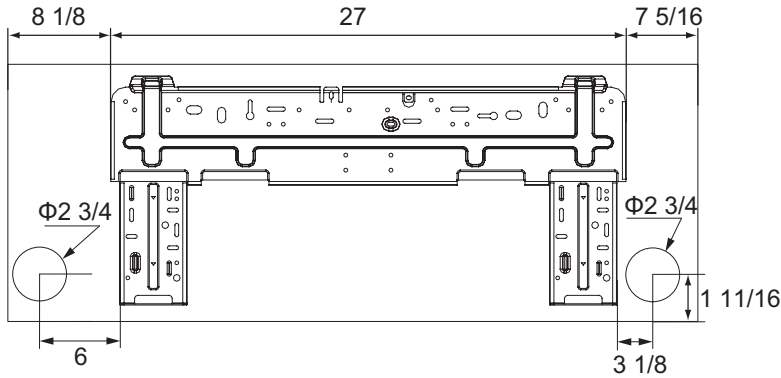


# 3. Dimensions

## 3.1 Indoor Unit



LI018CI-160P432 LI018CO-160P432  
LI018HI-160P432 LI018HO-160P432

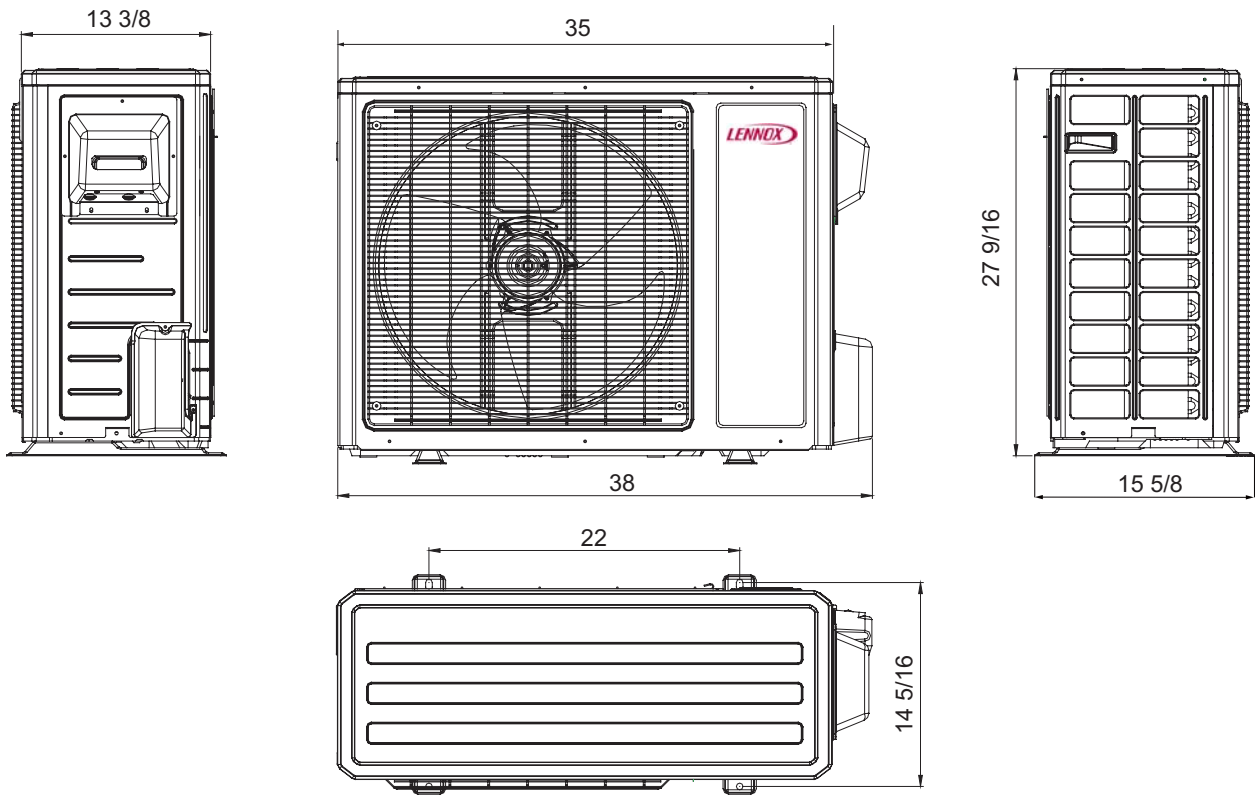


LI024CI-160P432 LI024CO-160P432  
LI024HI-160P432 LI024HO-160P432

Unit:inch

Models	W	H	D
LI018CI-160P432 LI018CO-160P432 LI018HI-160P432 LI018HO-160P432	38 3/16	11 13/16	8 13/16
LI024CI-160P432 LI024CO-160P432 LI024HI-160P432 LI024HO-160P432	42 7/16	12 13/16	9 11/16

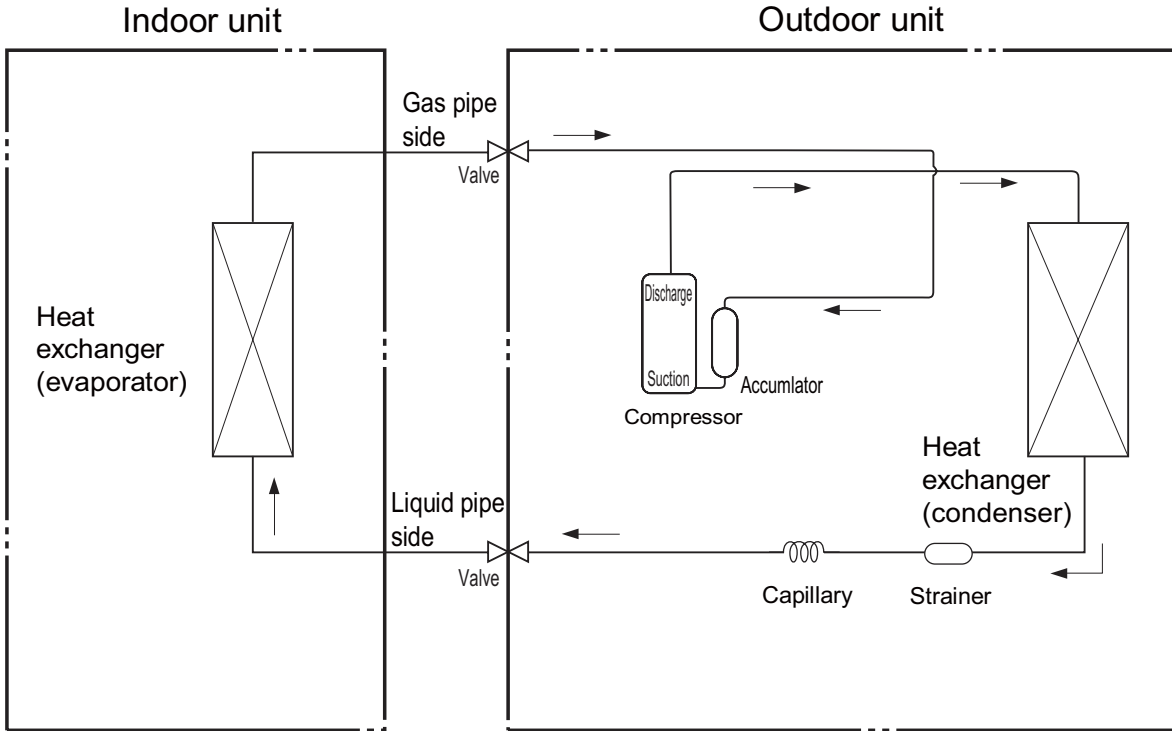
### 3.2 Outdoor Unit



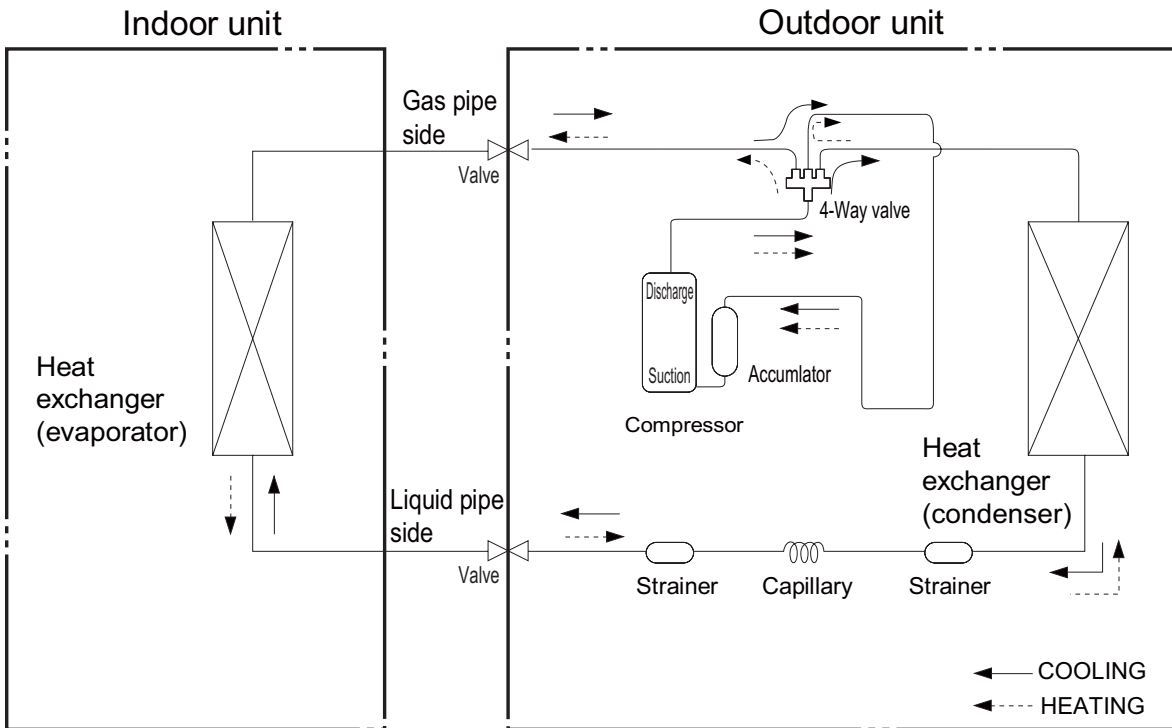
Unit: inch

# 4. Refrigerant System Diagram

Cooling only models



Cooling and heating models



Connection pipe specification:

Liquid pipe: 1/4" inch

Gas pipe: 1/2" (for LI018CI-160P432 LI018CO-160P432 / LI018HI-160P432 LI018HO-160P432)

Gas pipe: 5/8" (for LI024CI-160P432 LI024CO-160P432 / LI024HI-160P432 LI024HO-160P432)

## 5. Electrical Part

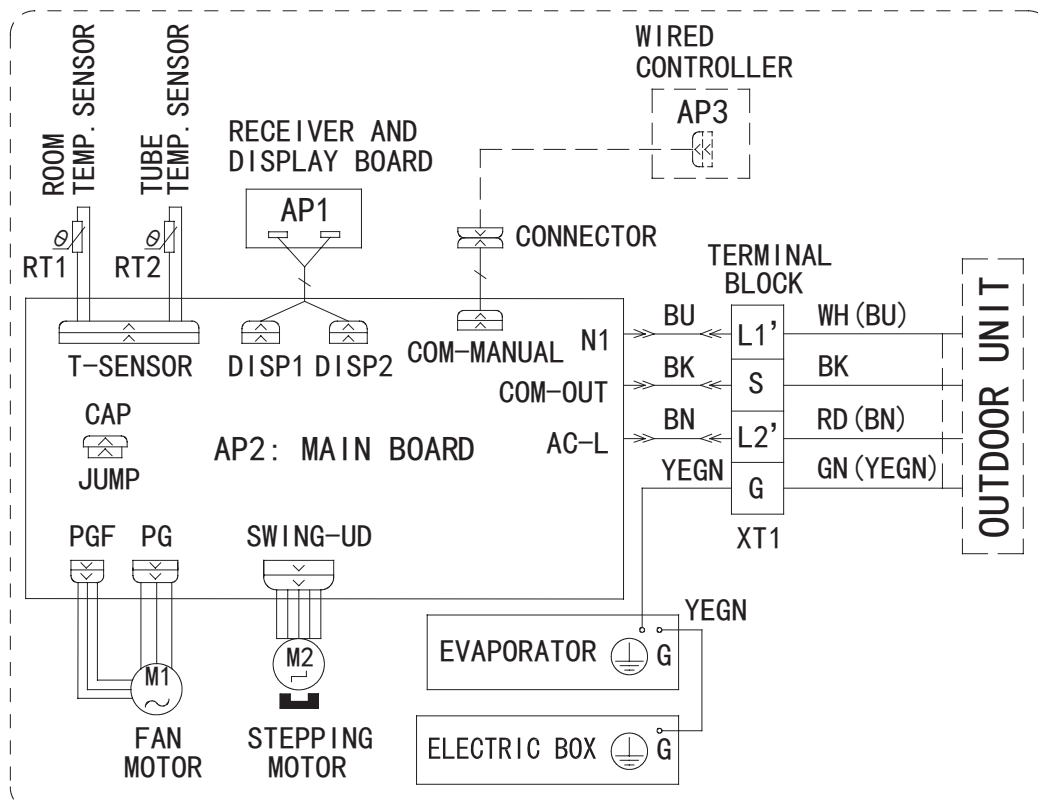
### 5.1 Wiring Diagram

- Instruction

Symbol	Symbol Color	Symbol	Symbol Color	Symbol	Name
WH	White	GN	Green	CAP	Jumper cap
YE	Yellow	BN	Brown	COMP	Compressor
RD	Red	BU	Blue	⊕	Grounding wire
YEGN	Yellow/Green	BK	Black	/	/
VT	Violet	OG	Orange	/	/

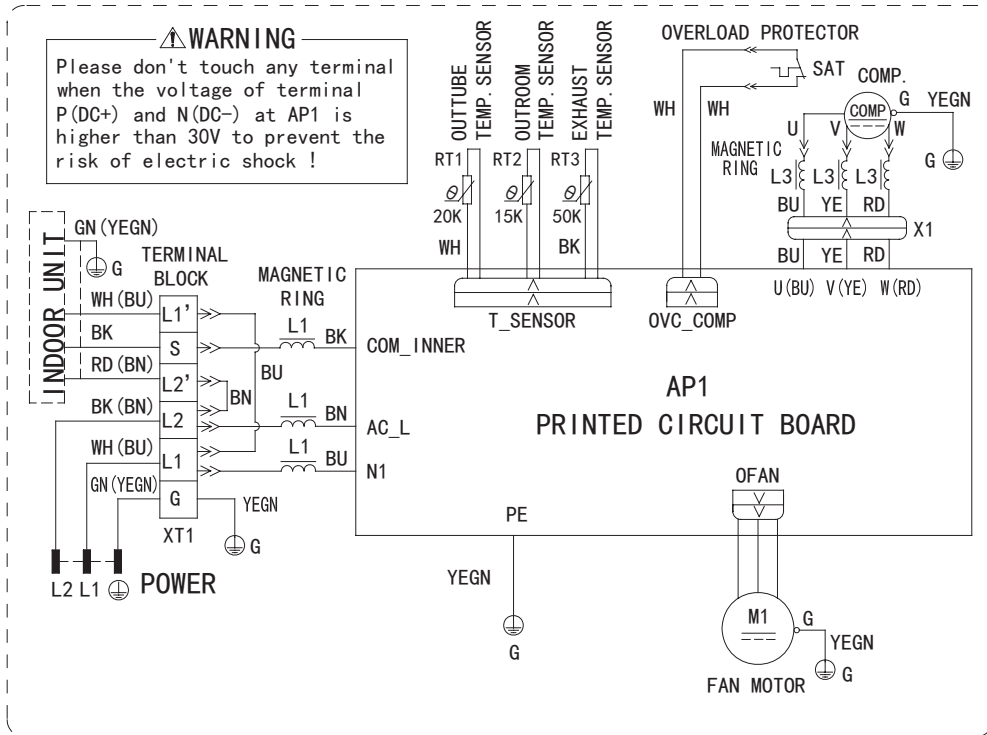
Note: Jumper cap is used to determine fan speed and the swing angle of horizontal lover for this model.

- Indoor Unit

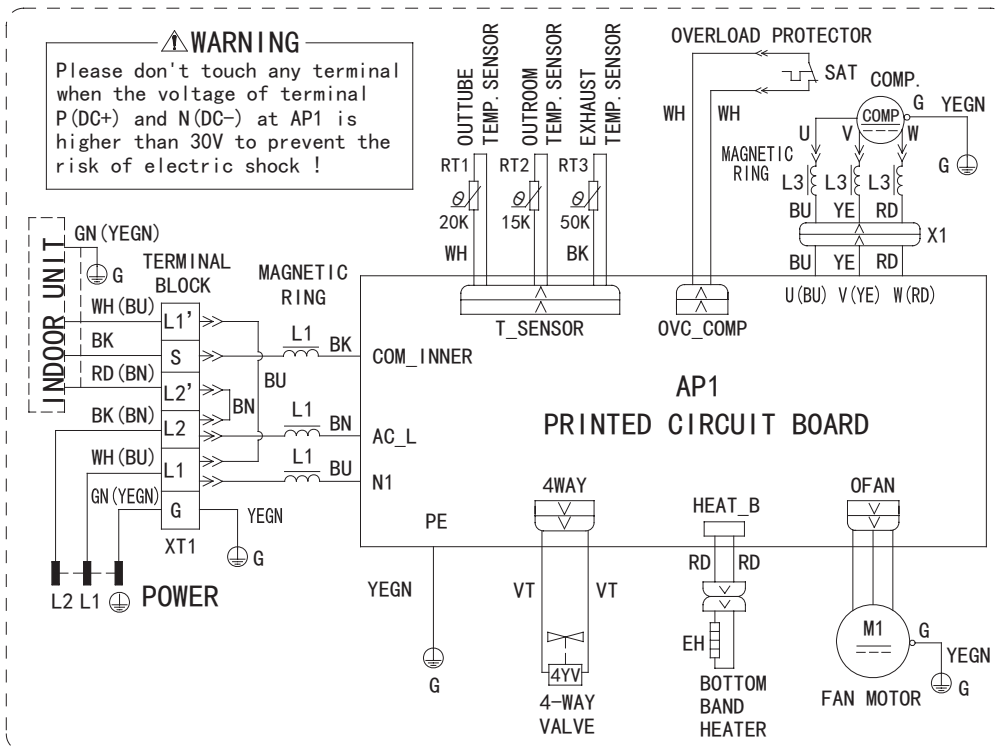


● Outdoor Unit

Cooling only models



Cooling and heating models



The above data is subject to change without notice. Please refer to the nameplate of the unit.